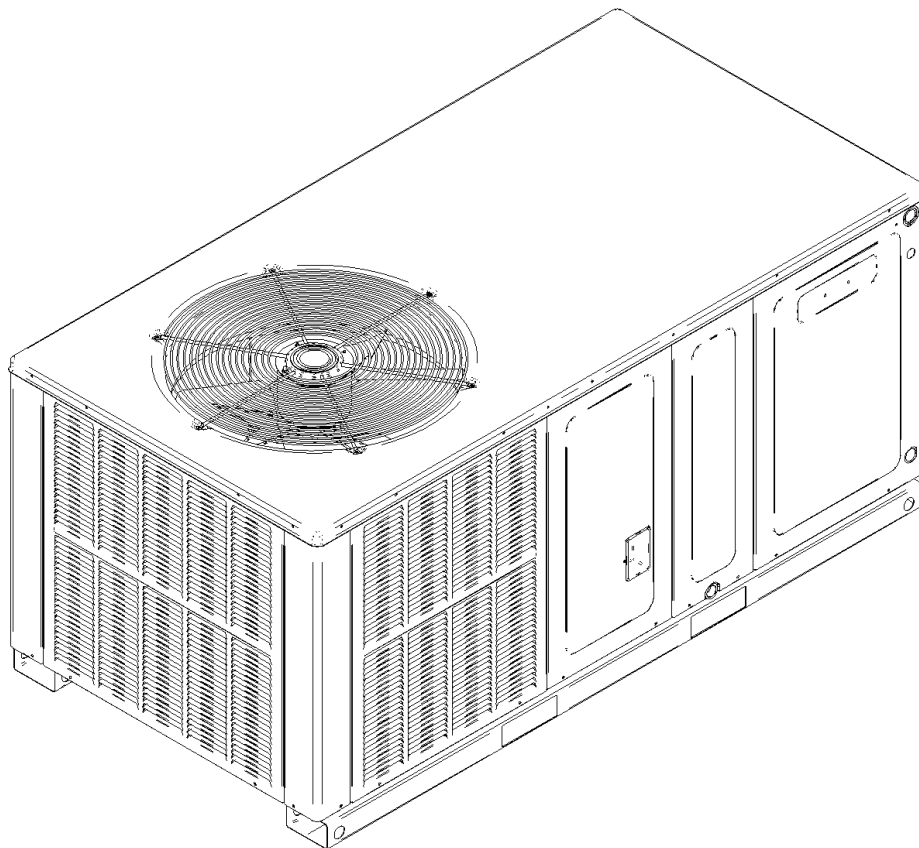


# REPAIR PARTS

## GPC13 H-SERIES R-410A Package Coolers

---

GPC1324H41AA  
GPC1330H41AA  
GPC1336H41AA  
GPC1342H41AA  
GPC1348H41BA  
GPC1360H41BA



This manual is to be used by qualified technicians only.

© 2009 Goodman Manufacturing Company, L.P. ♦ 5151 San Felipe, Suite 500 ♦ Houston, TX 77056

# Important Information

---

## Index

Functional Parts List .....	3
Illustration and Parts .....	4 - 13

*Views shown are for parts illustrations only, not servicing procedures.*

This system uses R410A refrigerant. If sealed system work is required, use approved equipment and follow service procedures. Refer to Service Manual or Installation Instructions for service procedures.

Rev. A: COND COIL 0201G00117S changed to 0121G000141.  
CUT-OUT, HIGH PRESSURE SWITCH 0130G00005 changed to 0130G00006.  
CONTACTOR CONT2P030024VS changed to CONT1P030024VS.

### Text Codes:

AR - As Required

NA - Not Available

NS - Not Shown

00000000 - See Note

QTY - Quantity Example (QTY 3) (If Quantity not shown, Quantity = 1)

M - Model Example (M1) (If M Code not shown, then part is used on all Models)

### Expanded Model Nomenclature:

Example M1 - Model#1 M2 - Model#2 M3 - Model#3
---

Goodman Manufacturing Company, L.P. is not responsible for personal injury or property damage resulting from improper service. Review all service information before beginning repairs.

Warranty service must be performed by an authorized technician, using authorized factory parts. If service is required after the warranty expires, Goodman Manufacturing Company, L.P. also recommends contacting an authorized technician and using authorized factory parts.

Goodman Manufacturing Company, L.P. reserves the right to discontinue, or change at any time, specifications or designs without notice or without incurring obligations.

For assistance within the U.S.A. contact:  
Consumer Affairs Department  
Goodman Manufacturing Company, L.P.  
7401 Security Way  
Houston, Texas 77040  
877-254-4729-Telephone  
713-863-2382-Facsimile

For assistance outside the U.S.A. contact:  
International Division  
Goodman Manufacturing Company, L.P.  
7401 Security Way  
Houston, Texas 77040  
713-861-2500-Telephone  
713-863-2382-Facsimile

# Functional Parts

## Part

## No: Description:

---

0130M00014	240 VOLT RELAY (M1, M2, M3, M4, M5)
0131M00010PS	BLOWER MOTOR 1/2 HP, 3 SP, 8 PL (M4, M5)
11091202S	BLOWER MOTOR 1/3 HP, 3 SP, 6 PL (M2, M3)
11091207S	BLOWER MOTOR 1/4 HP, 3 SP, 8 PL (M1)
0231K00042	BLOWER MOTOR 3/4 HP PROGRAMMED X13 (M6)
PCBFM103S	BOARD, ELECTRONIC BLOWER TIME DELAY RELAY (M1, M2, M3, M4, M5)
CAP100000370VAS	CAPACITOR 10/370V [BLOWER] (M1, M2, M3)
CAP150000370VAS	CAPACITOR 15/370V [BLOWER] (M4, M5)
CAP050400370RSS	CAPACITOR 5/40/370V [CONTROL BOX] (M1, M2)
CAP050450370RSS	CAPACITOR 5/45/370V [CONTROL BOX] (M3, M4, M5)
CAP050700370RTS	CAPACITOR 5/70/370V [CONTROL BOX] (M6)
CP18K8EPFV805	COMPRESSOR 18000, 208/230/60/1 (M1)
CP21K8EPFV805	COMPRESSOR 21000, 208/230/60/1 (M2)
ZP31K5EPFV830	COMPRESSOR 31100, 208/230/60/1 (M3)
ZP34K5EPFV830	COMPRESSOR 34500, 208/230/60/1 (M4)
ZP39K5EPFV830	COMPRESSOR 39000, 208/230/60/1 (M5)
ZP51K5EPFV830	COMPRESSOR 51000, 208/230/60/1 (M6)
0131M00007PS	COND MOTOR 1/4 HP, 1 SP, 6 PL (M4, M5, M6)
0131M00014PS	COND MOTOR 1/4 HP, 1 SP, 8 PL (M2, M3)
0131M00009PS	COND MOTOR 1/6 HP, 1 SP, 8 PL (M1)
CONT2P025024VS	CONTACTOR 25 AMP, 2P, 24V (M1, M2, M3)
CONT1P030024VS	CONTACTOR 30 AMP, 1P, 24V (M4, M5)
CONT2P040024VS	CONTACTOR 40 AMP, 2P, 24V (M6)
0130G00006	CUT-OUT SWITCH, HIGH PRESSURE
B1141643	TRANSFORMER 208/230, 24V

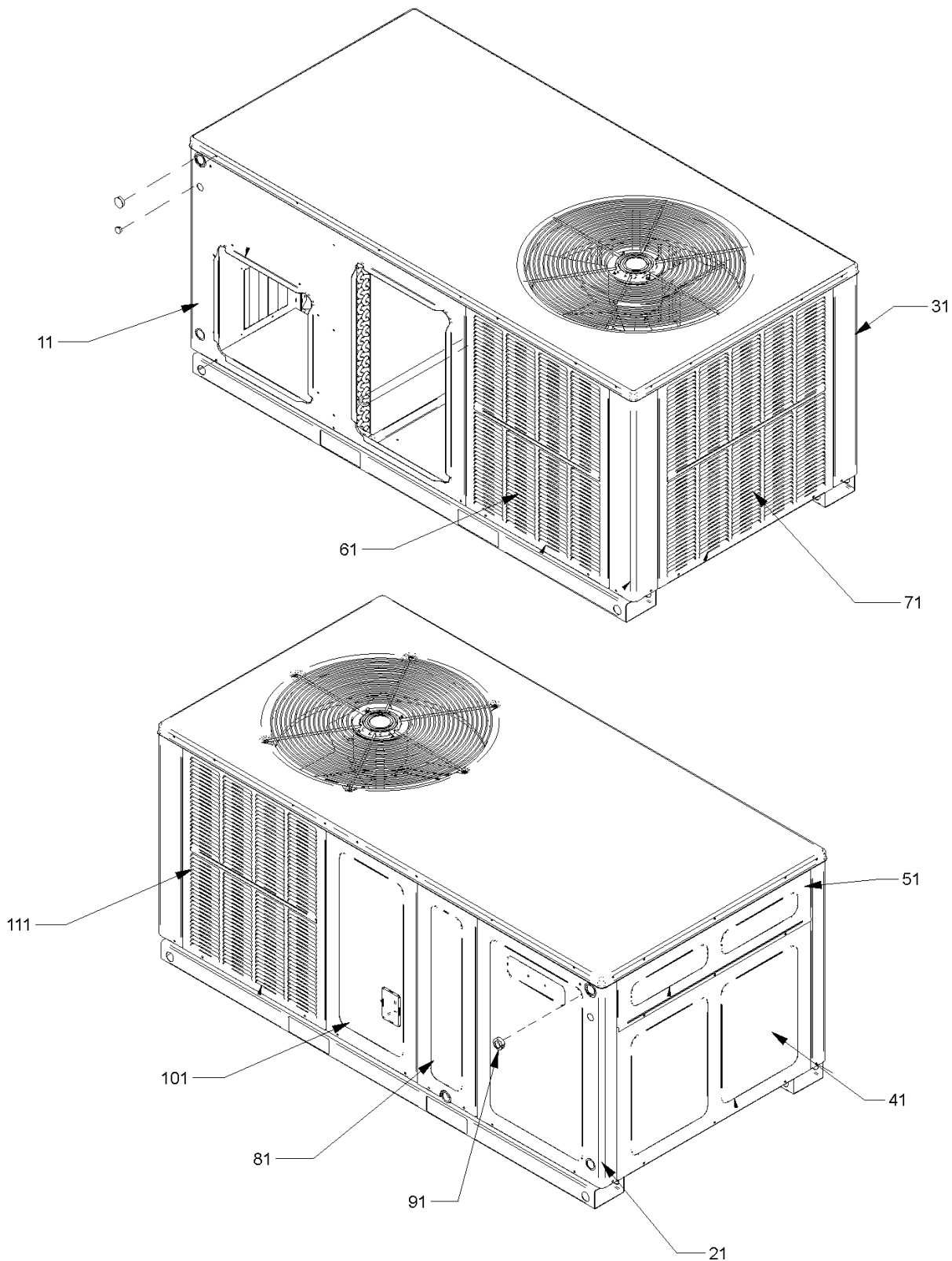
## SPECIAL PARTS

IO-352	INSTALLATION INSTRUCTIONS
B10259251	LABEL, GOODMAN
RP-544A	REPAIR PARTS MANUAL
B1757910	SUPPLEMENTAL INSERT (EBTDR)

## Expanded Model Nomenclature

M1 - GPC1324H41AA
M2 - GPC1330H41AA
M3 - GPC1336H41AA
M4 - GPC1342H41AA
M5 - GPC1348H41BA
M6 - GPC1360H41BA

# Cabinet



# Cabinet

Ref. Part No: No:	Description:	Ref. Part No: No:	Description:
-------------------	--------------	-------------------	--------------

*Image 1:*

11	0270G00008PS	INSULATED ASSY, DUCT PANEL 27.5" (M1, M2, M3)
11	0270G00009PS	INSULATED ASSY, DUCT PANEL 32.5" (M4)
11	0270G00010PS	INSULATED ASSY, DUCT PANEL 36" (M5, M6)
21	0270G00011PS	INSULATED ASSY, CORNER PANEL 27.5" (M1, M2, M3)
21	0270G00012PS	INSULATED ASSY, CORNER PANEL 32.5" (M4)
21	0270G00013PS	INSULATED ASSY, CORNER PANEL 36" (M5, M6)
31	0121G00047PDG	CORNER POST 27.5" [QTY 2] (M1, M2, M3)
31	0121G00048PDG	CORNER POST 32.5" [QTY 2] (M4)
31	0121G00082PDGS	CORNER POST 36" [QTY 2] (M5, M6)
41	0270G00113S	INSULATED ASSY, BLOWER DOOR 27.5" (M1, M2, M3)
41	0270G00114S	INSULATED ASSY, BLOWER DOOR 32.5" (M4)
41	0270G00115S	INSULATED ASSY, BLOWER DOOR 36" (M5, M6)
51	0121G00276DG	EXTERNAL CONTROL BOX PANEL
61	0121G00069PDG	LOUVERED PANEL 4 BANK 27.5" (M1, M2, M3)
61	0121G00070PDGS	LOUVERED PANEL 4 BANK 32.5" (M4)
61	0121G00090PDG	LOUVERED PANEL 4 BANK 36" (M5, M6)
71	0121G00072PDGS	LOUVERED PANEL 5 BANK 27.5" (M1, M2, M3)
71	0121G00073PDG	LOUVERED PANEL 5 BANK 32.5" (M4)
71	0121G00091PDG	LOUVERED PANEL 5 BANK 36" (M5, M6)
81	0270G00017PS	INSULATED ASSY, EVAP PANEL 27.5" (M1, M2, M3)
81	0270G00018PS	INSULATED ASSY, EVAP PANEL 32.5" (M4)
81	0270G00019PS	INSULATED ASSY, EVAP PANEL 36" (M5, M6)
91	B1392012	GROMMET / HS 1.0 - .79
101	0121G00062PDG	COMPRESSOR PANEL 13.68" X 27.50" (M1, M2, M3)
101	0121G00060PDG	COMPRESSOR PANEL 8.75" X 32.50" (M4)
101	0121G00087PDG	COMPRESSOR PANEL 8.75" X 36" (M5, M6)
111	0121G00069PDG	LOUVERED PANEL 4 BANK 27.5" (M1, M2, M3)
111	0121G00073PDG	LOUVERED PANEL 5 BANK 32.5" (M4)
111	0121G00091PDG	LOUVERED PANEL 5 BANK 36" (M5, M6)

Expanded Model Nomenclature

M1 - GPC1324H41AA
M2 - GPC1330H41AA
M3 - GPC1336H41AA
M4 - GPC1342H41AA
M5 - GPC1348H41BA
M6 - GPC1360H41BA

# Chassis

Image 1

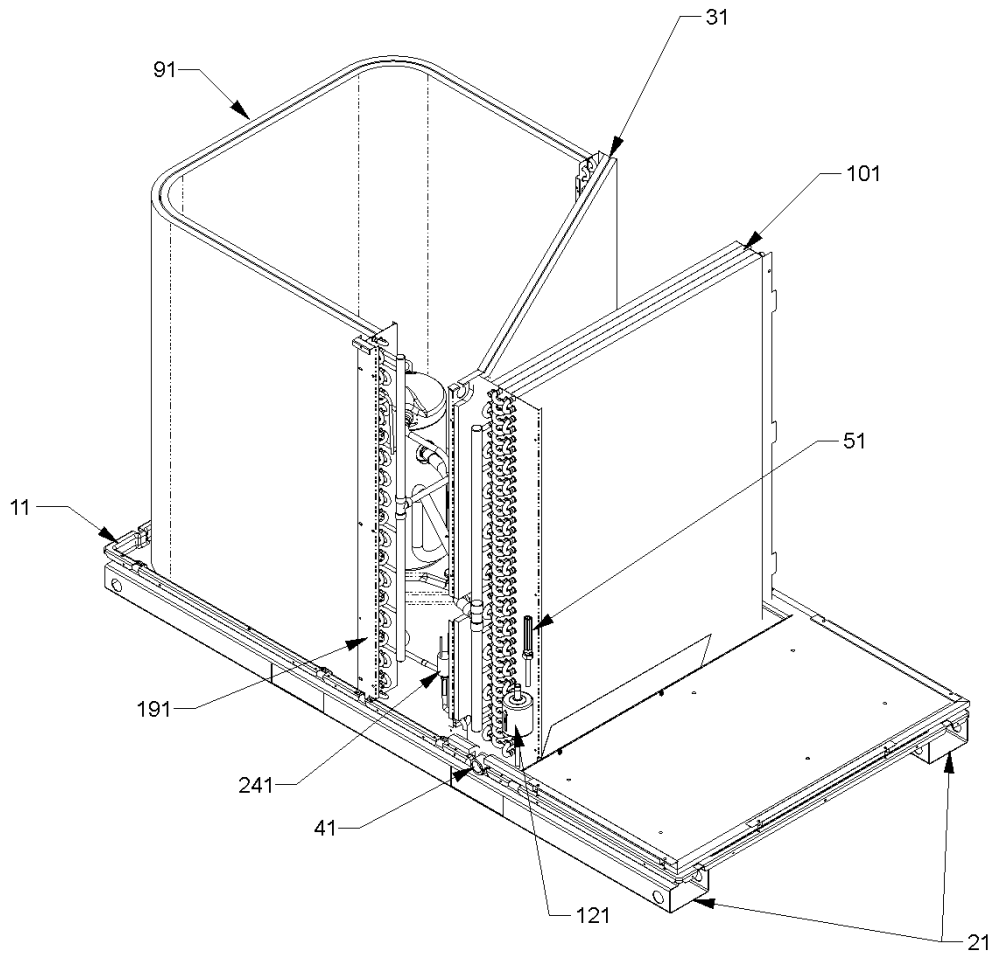
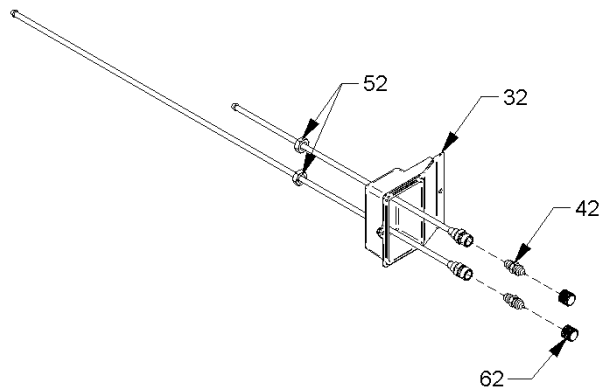


Image 2



# Chassis

Ref. Part No:	Part No:	Description:	Ref. Part No:	Part No:	Description:
---------------	----------	--------------	---------------	----------	--------------

*Image 1:*

11	0273G00001P	INSULATED ASSY, BASEPAN
21	0121G00044PRF	BASEPAN RAIL (QTY 2)
31	0270G00075	INSULATED ASSY, PARTITION PANEL 27.5" (M1, M2, M3)
31	0270G00076	INSULATED ASSY, PARTITION PANEL 32.5" (M4)
31	0270G00077	INSULATED ASSY, PARTITION PANEL 36" (M5, M6)
41	0270G00004PS	DRAIN PAN ASSY
51	0162M00065	FLOWRATOR .059 [EVAP] (M1)
51	0162M00110	FLOWRATOR .060 [EVAP] (M2)
51	0162M00061	FLOWRATOR .065 [EVAP] (M3)
51	0162M00109S	FLOWRATOR .072 [EVAP] (M4)
51	0162M00019P	FLOWRATOR .076 [EVAP] (M5)
51	0162M00095	FLOWRATOR .088 [EVAP] (M6)
91	0201G00121S	TUBING ASSY, COND COIL (M5)
91	0201G00124S	TUBING ASSY, COND COIL (M4)
91	0201G00128S	TUBING ASSY, COND COIL (M1, M2, M3)
91	0201G00141	TUBING ASSY, COND COIL (M6)
101	0202G00260S	TUBING ASSY, EVAP COIL (M6)
101	0202G00264S	TUBING ASSY, EVAP COIL (M5)
101	0202G00269S	TUBING ASSY, EVAP COIL (M4)
101	0202G00273S	TUBING ASSY, EVAP COIL (M3)
101	0202G00277S	TUBING ASSY, EVAP COIL (M1)
101	0202G00279S	TUBING ASSY, EVAP COIL (M2)
121	B1219212	SINGLE-FLOW FILTER DRIER, STEEL (M1, M2, M3)
121	B1219225	SINGLE-FLOW FILTER DRIER, STEEL (M4, M5, M6)
191	0121G00045P	POST 27.5" [QTY 2] (M1, M2, M3)
191	0121G00079P	POST 32.5" [QTY 2] (M4)
191	0121G00083P	POST 36" [QTY 2] (M5, M6)
241	0130G00006	CUT-OUT SWITCH, HIGH PRESSURE
NS	0121G00043P	EVAP DRIP SHIELD
NS	0210G00008P	PROCESS TUBING ASSY

*Image 2:*

32	0161G00001P	ACCESS FITTING BOX
42	B1373315	ACCESS FITTING (QTY 2)
52	0163G00000P	FASTEST FITTING NUT (QTY 2)
62	B9102097	CAP W/O-RING (QTY 2)
NS	0210G00030P	PROCESS TUBE ASSY-LIQUID
NS	0210G00031P	PROCESS TUBE ASSY-SUCTION

Expanded Model Nomenclature

M1 - GPC1324H41AA
M2 - GPC1330H41AA
M3 - GPC1336H41AA
M4 - GPC1342H41AA
M5 - GPC1348H41BA
M6 - GPC1360H41BA

# Compressor and Top Panel Assy

Image 1

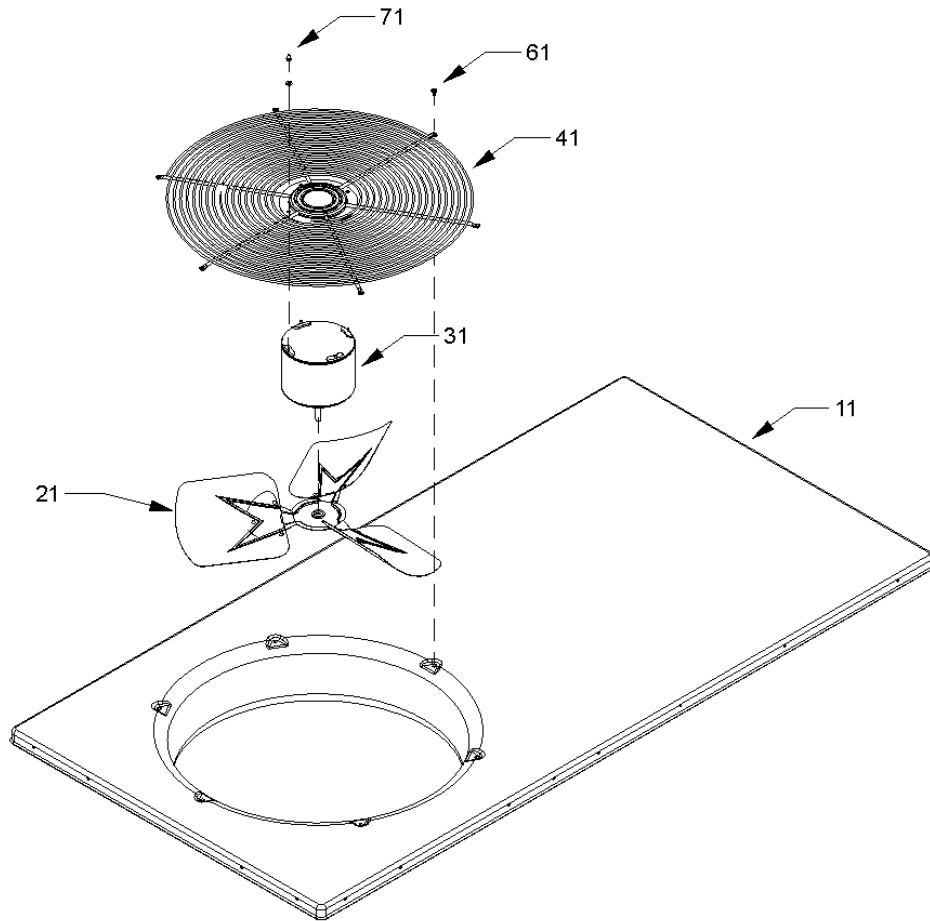


Image 2

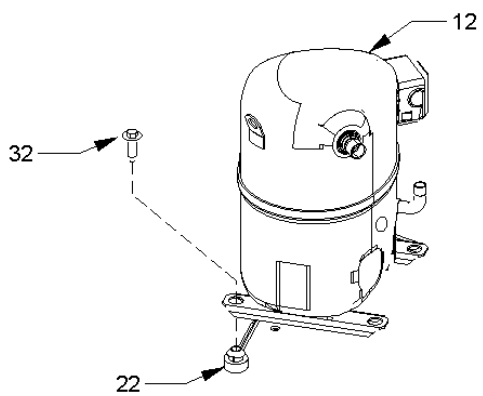
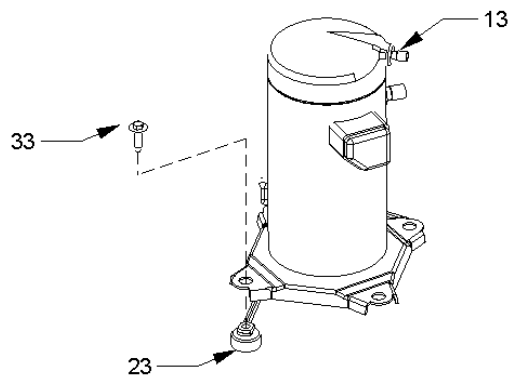


Image 3





# Compressor and Top Panel Assy

Ref. Part No: No:	Description:	Ref. Part No: No:	Description:
-------------------	--------------	-------------------	--------------

*Image 1:*

11	0274G00037	INSULATED ASSY, TOP PANEL
21	0150G00001S	FAN BLADE (M4, M5, M6)
21	B1086775S	FAN BLADE (M1)
21	0150G00002S	FAN BLADE SWEEP-WING (M2)
21	B1086765S	FAN BLADE TYPE 3 (M3)
31	0131M00007PS	COND MOTOR 1/4 HP, 1 SP, 6 PL (M4, M5, M6)
31	0131M00014PS	COND MOTOR 1/4 HP, 1 SP, 8 PL (M2, M3)
31	0131M00009PS	COND MOTOR 1/6 HP, 1 SP, 8 PL (M1)
41	0152G00002S	FAN GRILLE
61	M0221817	SMALL SCREW (QTY 6)
71	0163M00006P	ACORN NUT 5/16 HEX BLACK (QTY 4)
NS	17788000083F	PVC CONDUIT 8.25"

*Image 2:*

12	CP18K8EPFV805	COMPRESSOR 18000, 208/230/60/1 (M1)
12	CP21K8EPFV805	COMPRESSOR 21000, 208/230/60/1 (M2)
22	B1339530	COMPRESSOR GROMMET (M1, M2)
32	M0221641	TF SHOULDER SCREW [QTY 4] (M1, M2)
NS	0159G00004	COMPRESSOR SCROLL HARNESS

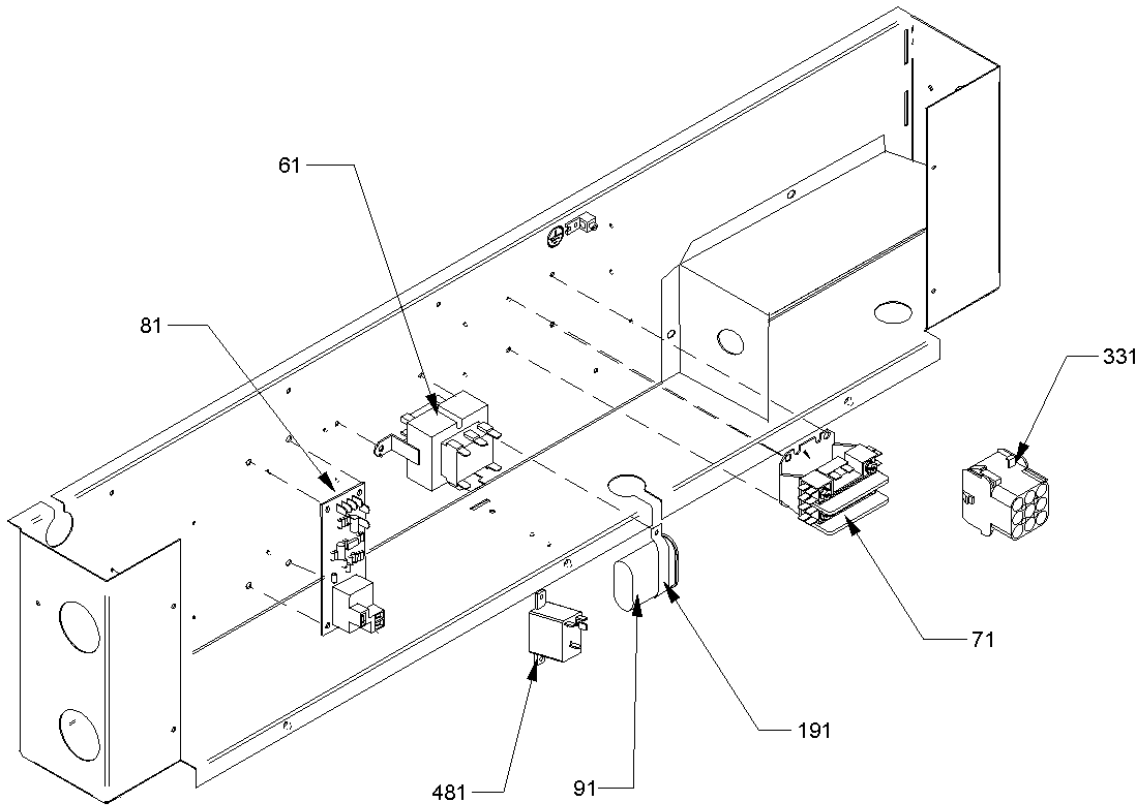
*Image 3:*

13	ZP31K5EPFV830	COMPRESSOR 31100, 208/230/60/1 (M3)
13	ZP34K5EPFV830	COMPRESSOR 34500, 208/230/60/1 (M4)
13	ZP39K5EPFV830	COMPRESSOR 39000, 208/230/60/1 (M5)
13	ZP51K5EPFV830	COMPRESSOR 51000, 208/230/60/1 (M6)
23	B1339533	COMPRESSOR GROMMET (M3, M4, M5, M6)
33	M0221641	TF SHOULDER SCREW [QTY 4] (M3, M4, M5, M6)

Expanded Model Nomenclature

M1 - GPC1324H41AA
M2 - GPC1330H41AA
M3 - GPC1336H41AA
M4 - GPC1342H41AA
M5 - GPC1348H41BA
M6 - GPC1360H41BA

# Control Box Assy



# Control Box Assy

Ref. Part No:	Description:	Ref. Part No:	Description:
---------------	--------------	---------------	--------------

Image 1:

61	B1141643	TRANSFORMER 208/230, 24V
71	CONT2P025024VS	CONTACTOR 25 AMP, 2P, 24V (M1, M2, M3)
71	CONT1P030024VS	CONTACTOR 30 AMP, 1P, 24V (M4, M5)
71	CONT2P040024VS	CONTACTOR 40 AMP, 2P, 24V (M6)
81	PCBFM103S	BOARD, ELECTRONIC BLOWER TIME DELAY RELAY (M1, M2, M3, M4, M5)
91	CAP050400370RSS	CAPACITOR 5/40/370V [CONTROL BOX] (M1, M2)
91	CAP050450370RSS	CAPACITOR 5/45/370V [CONTROL BOX] (M3, M4, M5)
91	CAP050700370RTS	CAPACITOR 5/70/370V [CONTROL BOX] (M6)
191	20520901	CAPACITOR STRAP
331	0259G00004	WIRE HARNESS, ELECTRIC HEAT (M1, M2, M3, M4, M5)
331	0259G00021	WIRE HARNESS, ELECTRIC HEAT (M6)
481	0130M00014	240 VOLT RELAY (M1, M2, M3, M4, M5)

Expanded Model Nomenclature

M1 - GPC1324H41AA
M2 - GPC1330H41AA
M3 - GPC1336H41AA
M4 - GPC1342H41AA
M5 - GPC1348H41BA
M6 - GPC1360H41BA

# Blower Assy

Image 1

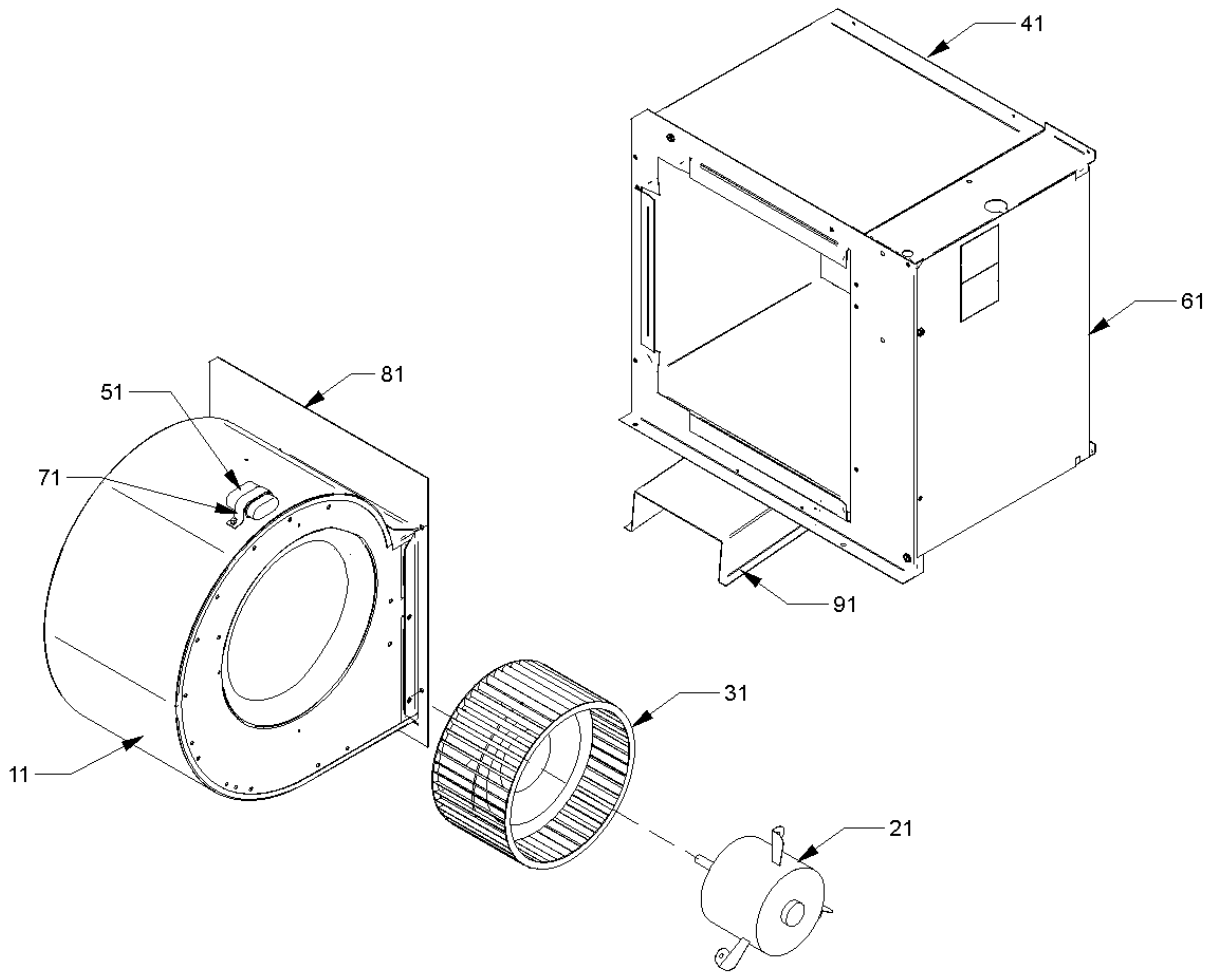
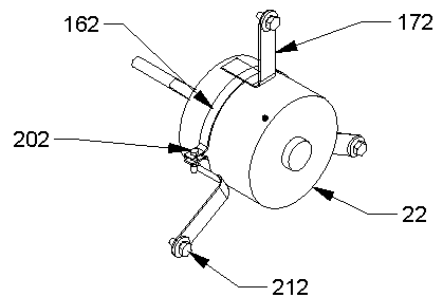


Image 2



# Blower Assy

Ref. Part No:	Part No:	Description:	Ref. Part No:	Part No:	Description:
---------------	----------	--------------	---------------	----------	--------------

*Image 1:*

11	10324248	BLOWER HOUSING 10 X 8 (M4, M5)
11	0271G00017	BLOWER HOUSING 11 X 8 (M6)
11	10324246	BLOWER HOUSING 9 X 6 (M1, M2)
11	10324247	BLOWER HOUSING 9 X 8 (M3)
21	0131M00010PS	BLOWER MOTOR 1/2 HP, 3 SP, 8 PL (M4, M5)
21	11091202S	BLOWER MOTOR 1/3 HP, 3 SP, 6 PL (M2, M3)
21	11091207S	BLOWER MOTOR 1/4 HP, 3 SP, 8 PL (M1)
31	B1368016S	BLOWER WHEEL 10 X 8 (M4, M5)
31	B1368054	BLOWER WHEEL 11 X 8 (M6)
31	0150M00000S	BLOWER WHEEL 9 X 6 (M2)
31	B1368042S	BLOWER WHEEL 9 X 6 (M1)
31	B1368036S	BLOWER WHEEL 9 X 8 (M3)
41	0270G00023PS	TRANSITION DUCT ASSY (M1)
41	0270G00024PS	TRANSITION DUCT ASSY (M2, M3)
41	0270G00025PS	TRANSITION DUCT ASSY (M4, M5, M6)
51	CAP100000370VAS	CAPACITOR 10/370V [BLOWER] (M1, M2, M3)
51	CAP150000370VAS	CAPACITOR 15/370V [BLOWER] (M4, M5)
61	0121G00039PS	HEATER KIT COVER
71	20520901	CAPACITOR STRAP (M1, M2, M3, M4, M5)
81	0121G00128P	BLOWER MOUNT (M6)
81	0121G00035P	BLOWER MOUNT 10 X 8 (M4, M5)
81	0121G00033P	BLOWER MOUNT 9 X 6 (M1, M2)
81	0121G00034P	BLOWER MOUNT 9 X 8 (M3)
91	0121G00040P	BLOWER SUPPORT
NS	C6121802	BLOWER CUT-OFF (M1, M2)
NS	C6121810	BLOWER CUT-OFF (M3, M4, M5)
NS	2964700	BLOWER CUT-OFF 11 X 8 (M6)
NS	B821700	CAPACITOR BOOT (M1, M2, M3, M4, M5)
NS	B1392143	GROMMET, 26TAL F/TORSIN FLEX [QTY 3] (M1, M3, M4, M5)
NS	M0250558	TC SCREW (M1, M2, M3, M4, M5)

*Image 2:*

22	0231K00042	BLOWER MOTOR 3/4 HP PROGRAMMED X13 (M6)
162	0121M00038	MOTOR MOUNT BAND (M6)
172	B1376857	MOTOR MOUNT ARM [QTY 3] (M6)
202	B1393323	MACHINE SCREW HWH 1/4-20 X 1-1/2 BZ (M6)
212	M0250565	TC SCREW 1.25" [QTY 3] (M6)
NS	B1393800	LOCKNUT, NYLON, INSERT 1/4, 20 (M6)

Expanded Model Nomenclature

M1 - GPC1324H41AA
M2 - GPC1330H41AA
M3 - GPC1336H41AA
M4 - GPC1342H41AA
M5 - GPC1348H41BA
M6 - GPC1360H41BA

